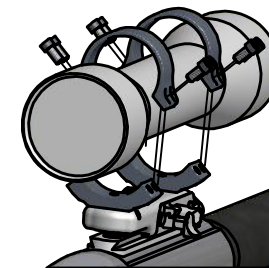
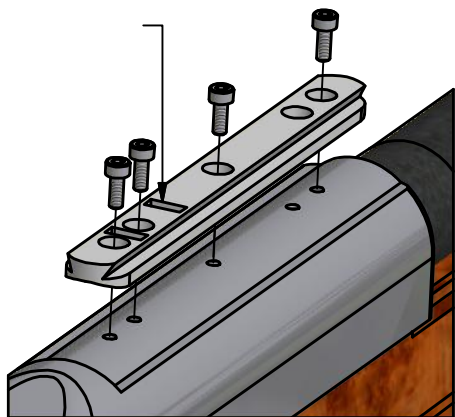


MOUNTING INSTRUCTION

4-Position the QD mount. SCREW THE UPPER PARTS OF THE RINGS IN TO THE CORRISONDING LOWER PARTS BY USING THE SCREW PROVIDED



1-SCREW THE RAIL ON THE FIREARMS.Make sure the rectangular slots are positioned towards the stock



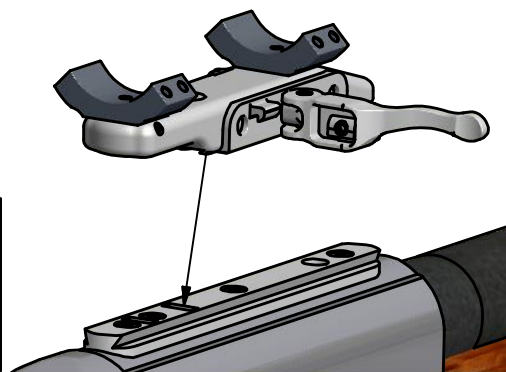
The application of some medium strength thread locker is recommended

2 -SCREW THE LOWER PERT OF THE RING In the scope mount by using the wrench provided.Make sure to keep a scope on the lower rings while attaching so that the rings remain perpendicular to the base.**Do not lock the screws tight**



3 -Open the locking lever and fit the QD mount into the specific slot on the base.

4a -CLOSE THE LEVER



IMPORTANT
4a -Tighten the upper rings equally to guarantee perfect tightness of the QD mounts



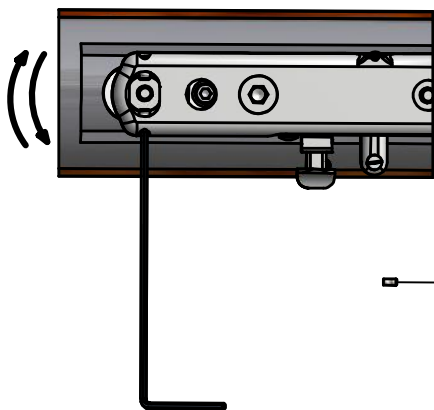
4b -In order lock the mount perfectly in place make sure to cross lock the screws

4c -Make sure to insert the Allen wrench all the way in to the screws hexagonal slot so as to avoid stripping the head

5 -REGULATION AND WINDAGE

Proceed with the regulation.If windage is required,use the windage screws in the rear parts of the mount.There is one on each site.

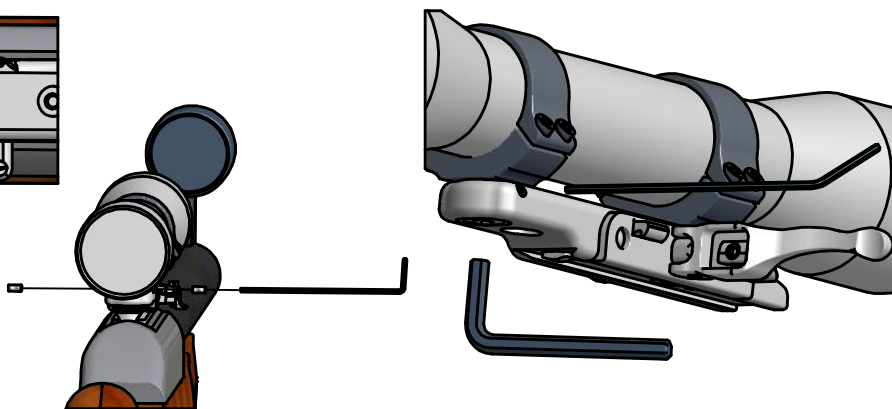
5a -Again make sure to insert the Allen wrench all the way down in the windage screws exagonal slot



6 -FINAL LOCKING IN PLACE

Remove the QD mount and tighten both lock ring screws and windage screws.

6a -While locking,make sure to insert the Allen wrench all the way down in to the windage screws exagonal slot



ONLY IF ABSOLUTELY NECESSARY

REGULATE THE TIGHTNESS OF THE LEVER

- Carefully loosen the fixing screw on the side of the mount
- Screw/Unscrew the buscing (just underneath the screw)
- Carefully closed the fixing screw back
- Make sure to insert the Allen wrenches all the way down in to the exagonal slots

