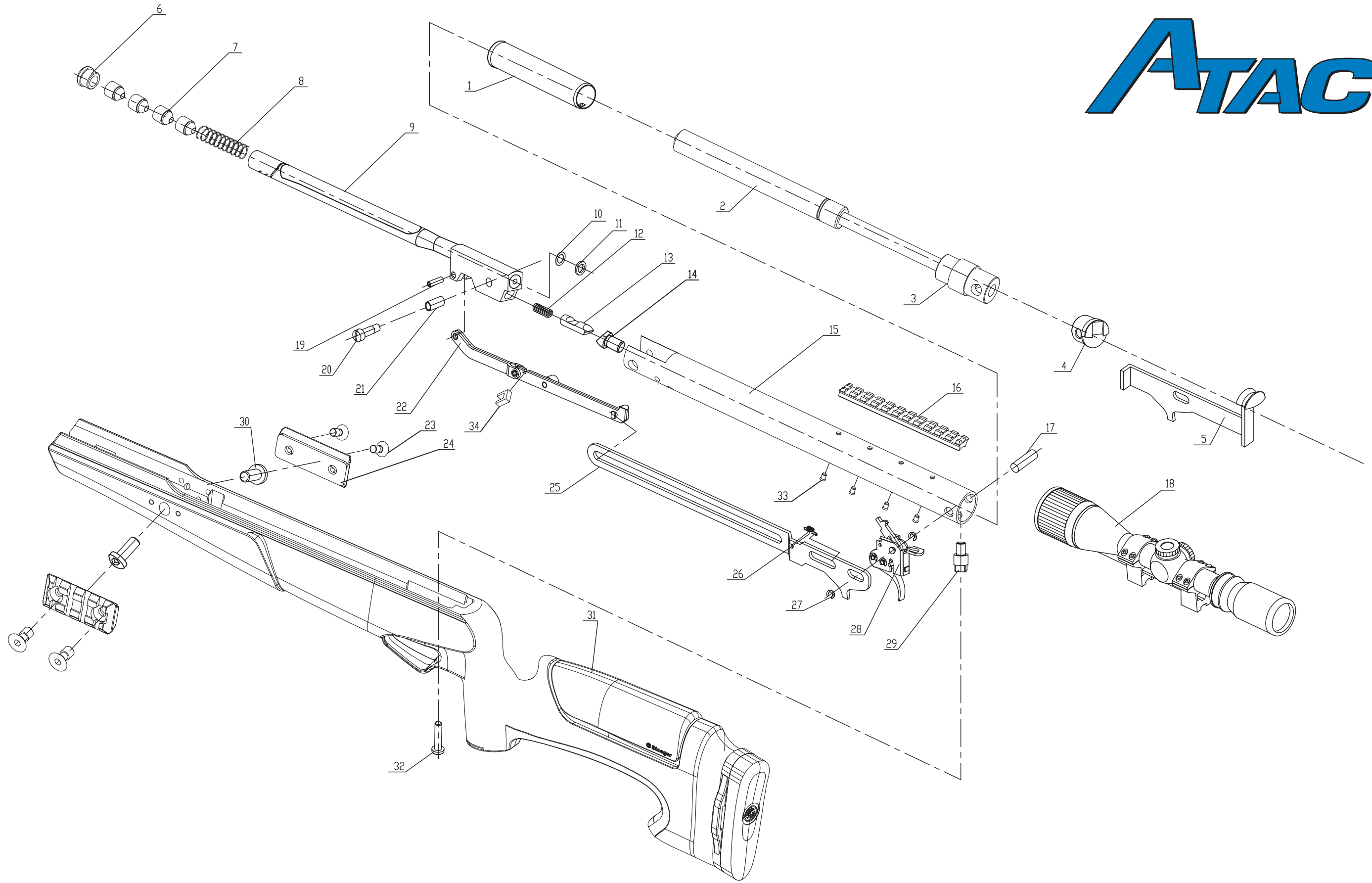


ATAC





X20T

No.	Code Name	Part Name	X20TS Beretta	X20T Beretta	Easy-broken parts 2% free	Revised Date
1	B19-22-04-00	Piston Assembly	1	1	Y	
2	B19-22-00-19	Gas Spring	1	1		
3	B19-22-00-17	Spring Guide Assembly	1	1		
4	B19-19-00-4	Tube Cover	1	1	Y	
5	B19-19-07-00	Safety Assembly	1	1	Y	
6	B19-21-00-1	Sleeve Cover	1		Y	
7	B19-21-00-2	Silencer Muzzle	4			
8	B19-21-00-3	Silencer Spring	1			
9a	B19-21-01-100A	Barrel Assembly	1			
9b	B19-23-01-100	Barrel Assembly		1		
10	B22-00-1	Adjust Washer	0-2	0-2		
11	B12-00-14	Breach Seal	1	1	Y	
12a	CY6M77-01-4	Spring	1			
12b	B18-01-3A	Spring		1		
13a	B19-21-01-7A	Alive Jam	1		Y	
13b	B18-01-2B	Alive Jam		1	Y	
14	B18-00-2	Detent	1	1		
15a	B19-23-02-00	Tube Assembly	1			
15b	B19-22-02-00	Tube Assembly		1		
16	B19-22-02-1	Sight seat	1	1		
17	B18-00-7	Tube Pin	1	1		
18	4-16*40AO 2Rings mount	Scope with 2rings mount	1	1		
19a	B19-21-01-3	Detent Pin	1		Y	
19b	B12-01-5	Detent Pin		1	Y	
20	B19-2-00-2	Break Bolt	1	1		
21a	B22-01-4	Break Bushing	1			
21b	B18-01-1C	Break Bushing		1		
22	B19-19-08-00	Lever Assembly	1	1		
23	B19-22-00-16	Hexagon socket countersunk head screws	4	4		
24	B19-22-00-15	Long side plate	2	2	Y	
25	B18-00-5B	Bear trap Lever	1	1	Y	
26	B19-19-00-5	Bear trap S pring	1	1		
27	GB896-86 3	Bear trap Bolt	4	4	Y	
28	B19-19-05-00	Trigger Pack Assembly	1	1		
29	B18-00-9	Stock Bolt	1	1	Y	
30	GB/T 818-2000 M5X14(耐落)	Small pan head screws (Nylok)	2	2	Y	
31	B19-22-06-00	Synthetic Stock Assembled	1	1		Include one Stock pad and two screws
32	GB 823-88 M6X20(耐落)	Pan head screws (Nylok)	1	1	Y	
33	B19-22-02-2 (耐落)	Screws (Nylok)	4	4	Y	
34	B22-00-13	Lever cutting sleeve	1	1	Y	
35	B18-00-15A	Spacer		2	Y	